

Sno-Konette


Part No. 22045
Revised June 1996


Instruction Manual
Deluxe – Model #1002
Standard – Model #1003
DC Battery – Model #1009





 **GOLD MEDAL**®
FUNFOOD EQUIPMENT & SUPPLIES
Cincinnati, OH 45241-4807 USA


SAFETY PRECAUTIONS

	⚠ CAUTION
	This equipment is designed and sold for commercial use only. This equipment is not to be used by the consumer in home use. Do not allow direct contact of this equipment by the public when used in food service locations. Only personnel trained and experienced in the equipment operation may operate this equipment. Carefully read all installation instructions before operating the equipment.

	⚠ WARNING
	Always wear safety glasses when servicing this equipment.

	⚠ WARNING
	Never put your fingers or any object into the shaver body (the gooseneck) while the motor is running. Serious injury may occur. <i>(Gold Medal Products does not assume any liability for injury due to careless handling and/or reckless operation of this equipment).</i>

	⚠ WARNING
	Any alterations to this equipment will void the warranty and may cause a dangerous situation. NEVER make alterations to the equipment.

	⚠ DANGER
	Machine must be properly grounded to prevent electrical shock to personnel. Do NOT immerse the equipment in water. Always unplug the equipment before cleaning or servicing.

NOTE

The information, specifications and illustrations contained in this manual represent the latest data available at time of publication. Right is reserved to make changes as required at the discretion of Gold Medal Products Company without notice.

INSTALLATION

MACHINE DESCRIPTION

The Sno-Konette is an automatic shaver with a tremendous capacity. You will find that it keeps up with any demand; as soon as you put ice into the hopper, it is shaved into fine snow. The Sno-Konette consists of the gooseneck, which houses the cutter head, the pusher handle, the motor, and the display case.

ELECTRICAL REQUIREMENTS

The Sno-Konette operates on 120 Volt, single phase, 60 cycle AC current. Models are available in a 12 volt DC version. Be sure that your electrical supply meets this requirement.

ICE REQUIREMENTS

The Sno-Konette can take ice cubes or block ice, if you break the block into pieces approximately 3 to 4 inches in size.

NOTE: The ice will not enter the shaving chute if the pieces are too large. The design of the shaving chute automatically draws the ice against the blades. There is no need for manual effort.

MACHINE OPERATION

The *Sno-Konette* has separate switches for the motor and the display lights. The motor toggle switch is located on the motor body. The switch for the display lights is located inside the case near the fluorescent light.

After unpacking the *Sno-Konette* you should locate the pusher handle (packed in a separate box). Connect the pusher handle to the shaver body. Plug the power cord into the appropriate electrical outlet.


Turn on the motor and the display lights. If the bulbs do not light, rotate the fluorescent tube to seat it into the starter. The fluorescent bulb is a common 14 Watt tube, available at most retail stores.


TO OPERATE THE SNO-KONETTE


1. Switch the motor on.
2. Wait for the motor to come to full speed (a minute or so).
3. Fill the gooseneck to within an inch of the top with ice cubes or block ice (no larger than 3" to 4"). The larger the pieces, the better the snow.
4. Push the pusher handle down against the ice in the gooseneck. Apply firm and even pressure to make the best snow. Practice will allow you to gauge when to stop pressing. This allows the ice to resettle against the cutterhead. You may find that you need to relieve the pressure two or three times in a cycle. Over pressing will stall the motor. In this case, simply relieve the pressure and try again. Too much pressure will result in snow that is coarse; too little pressure will make the snow mushy.
5. Be aware that under normal operating conditions the motor will become very warm. A surface temperature of 150° F is normal.

NOTE: Never allow any foreign or metallic objects around the shaver area of the *Sno-Konette*. Blades are often damaged by ice picks and scoops, and debris that may be in the ice.

MAINTENANCE INSTRUCTIONS

	⚠ CAUTION
	<p>THE FOLLOWING SECTIONS OF THIS MANUAL ARE INTENDED ONLY FOR QUALIFIED SERVICE PERSONNEL WHO ARE FAMILIAR WITH ELECTRICAL EQUIPMENT. THESE ARE NOT INTENDED FOR THE OPERATOR.</p>

	⚠ WARNING
	<p>Adequate eye protection must be used when servicing this equipment to prevent the possibility of injury.</p>

	⚠ DANGER
	<p>Do NOT immerse the equipment in water. Unplug your machine before servicing.</p>

ORDERING SPARE PARTS

1. Identify the desired part by checking it against the photos, illustrations, and/or the parts list.
2. When ordering, please include part number, part name, and quantity desired.
3. Please include your model name and machine serial number (located on the machine nameplate) with your order.
4. Address all parts orders to:

Parts Department
Gold Medal Products Co.
10700 Medallion Drive
Cincinnati, Ohio 45241-4807

or, place orders at:

(513) 769-7676
Fax: (513) 769-8500
E-mail: goldme19@eos.net

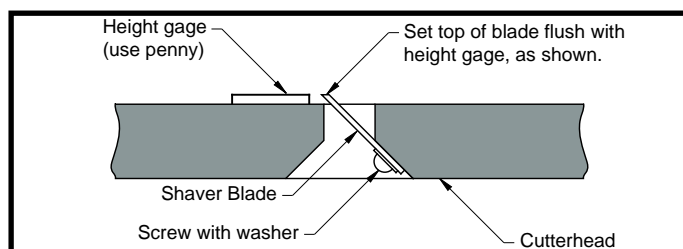
INSTALLING NEW SHAVER BLADES

Inspect your equipment before replacing the blades. Use a flashlight to examine the blades in the shaver body. If the blades appear to be nicked or bent, then the blades should be replaced. Follow this procedure:

1. Unplug the main power supply cord from the electrical outlet.
2. Remove the cutterhead from the motor shaft by loosening the Allen head set screw between the motor and the gooseneck. Use the special Allen wrench that was supplied with your machine.
3. Remove the cutterhead. Pull the cutterhead off of the motor shaft and through the gooseneck. If the cutterhead is frozen onto the shaft, remove the hold down bolts on the motor. Pull the motor back, trapping the cutterhead against the inside of the gooseneck, until the cutterhead disengages.
4. After removing the cutterhead, check the motor shaft for burrs and corrosion. Use a fine tooth file to remove the burrs and corrosion.
5. Remove the blades from the cutterhead. These blades may be resharpened, but it is far better to replace the old blades with a new set.
6. Position the new blades and insert screws until they are finger tight.
7. Set the blade thickness equal to a penny. (See illustration below.) Make sure that the height is even across the cutterhead.
8. Tighten the blade screws completely. Check the blades again with a penny to ensure the blades did not move while tightening the screws.
9. Replace the motor and cutterhead. Mount the motor using the hold down bolts. Insert the cutterhead through the gooseneck and onto the motor shaft. Press the cutterhead onto the motor shaft with the pusher handle, then move the cutterhead in another 1/8". Check that the cutterhead is not rubbing against the back of the gooseneck and the blades are not touching the pusher handle.
10. Replace the set screw between the gooseneck and the motor.

NOTE:

Replace the shims that were between the motor base and the mounting surface. The motor shaft must be in alignment with the shaver drive shaft. Misalignment will cause the motor coupling to wear rapidly.



PARTS LIST – MODEL #1002

Part No.	Description
12003	Top Exterior Frame
12004	Bottom Exterior Frame
12006	Door Assembly
12007	Corner Post
12009	Flourescent Light Tube
12012	Front Glass Strip
12013	Rear Glass Strip
12032	Top Exterior Frame (Front & Rear)
12038	Front Glass
12039	Side Glass
12040	Front Glass Decal
12045	Door Catch
12057	Rear Exterior Frame
12061	Drain Pan Assembly w/ Drain
12063	Protectective Cover, Light
12071	"Do Not Apply Pressure" Label
12072	Cap
22004	"Name & Spec" Plate
22005	Pusher Handle
22009	Hopper Casting
22010	Motor Mount Plate
22012	Drive Motor (120 V)
22013	Motor Switch
22015	Sno-Konette Shave Head
22020	Ice Pick
22021	Pusher Handle Gasket
22023	Molded Recessed Bumper
22024	Shipping Carton
22025	Fluorescent Fixture Lid
22026	Light Fixture Housing Assembly
22028	End Housing
22034	Ice Shaver Drain Hose
22038	Lead-in Cord (15 Amp Plug)
22045	Sno-Konette Parts Manual
22046	"Deluxe Sno-Konette" Decal
22047	Dome
22048	"Deluxe Sno-Konette" Nameplate
22049	Motor Plate
22050	Light Mounting Plate
22051	Lead-in Cord Mounting Bracket

PARTS LIST – MODEL #1002 (continued)

Part No.	Description
22051	Lead-in Cord Mounting Bracket
22052	Dome Mounting Bracket
22053	Window
22054	Pushbutton Switch
22055	Dome Support Bracket
29066	6 Oz. Sno Dipper
39018	6 Oz. Cup Dispenser w/ Bracket
39044	Drain Fitting
39058	Motor Switch Guard
39068	Ice Scoop
41013	Door Knob
41020	Light Tube Holder
41021	Light Tube Holder Starter
41022	Light Ballast
41023	Light Starter
41057	Light Tube
47010	"Safe Operating Instructions" Label
47132	Vinyl Glass Channel (per foot)
47155	3/4 Inch High Rubber Feet
47201	Motor and Light On/Off Switch
47509	Wall Mount Bracket
49132	Grip Nut (5/16-18)
74119	"Warning Disconnect Power" Label
74127	Set Screw (5/16-18 x 3/8 Long)
75220	Hose Clamp w/ Screw
76026	Strain Relief
76097	"Unplug to Clean" Label
76135	Power Cord Tag
76210	Stop 110 Volt Unit Tag
77521	Slot Head Hex Screw (#8-32 x 3/4 Long)
82004	Light Tube Protective Cover
86556	18-2 Wire (Type SJTO)

PARTS LIST – MODEL #1003

Part No.	Description
12003	Top Exterior Frame
12004	Bottom Exterior Frame
12006	Door Assembly
12007	Corner Post
12009	Flourescent Light Tube
12012	Front Glass Strip
12013	Rear Glass Strip
12032	Top Exterior Frame (Front & Rear)
12038	Front Glass
12039	Side Glass
12040	Front Glass Decal
12045	Door Catch
12057	Rear Exterior Frame
12061	Drain Pan Assembly w/ Drain
12063	Protectective Cover, Light
12071	"Do Not Apply Pressure" Label
12072	Cap
22004	"Name & Spec" Plate
22005	Pusher Handle
22009	Hopper Casting
22010	Motor Mount Plate
22012	Drive Motor (120 V)
22013	Motor Switch
22015	Sno-Konette Shave Head
22020	Ice Pick
22021	Pusher Handle Gasket
22023	Molded Recessed Bumper
22024	Shipping Carton
22025	Fluorescent Fixture Lid
22026	Light Fixture Housing Assembly
22028	End Housing
22034	Ice Shaver Drain Hose
22038	Lead-in Cord (15 Amp Plug)
22045	Sno-Konette Parts Manual
22047	Dome
29066	6 Oz. Sno Dipper
39018	6 Oz. Cup Dispenser w/ Bracket
39044	Drain Fitting
39068	Ice Scoop
41013	Door Knob

PARTS LIST – MODEL #1003 (continued)

Part No.	Description
41020	Light Tube Holder
41021	Light Tube Holder Starter
41022	Light Ballast
41023	Light Starter
47010	"Safe Operating Instructions" Label
47132	Vinyl Glass Channel (per foot)
47155	3/4 Inch High Rubber Feet
47201	Motor and Light Switch
47509	Wall Mount Bracket
49132	Grip Nut (5/16-18)
74119	"Warning Disconnect Power" Label
74127	Set Screw (5/16-18 x 3/8 Long)
75220	Hose Clamp w/ Screw
76026	Strain Relief
76097	"Unplug to Clean" Label
76135	Power Cord Tag
76210	Stop 110 Volt Unit Tag
77521	Slot Head Hex Screw (#8-32 x 3/4 Long)
82004	Light Tube Protective Cover
86556	18-2 Wire (Type SJTO)

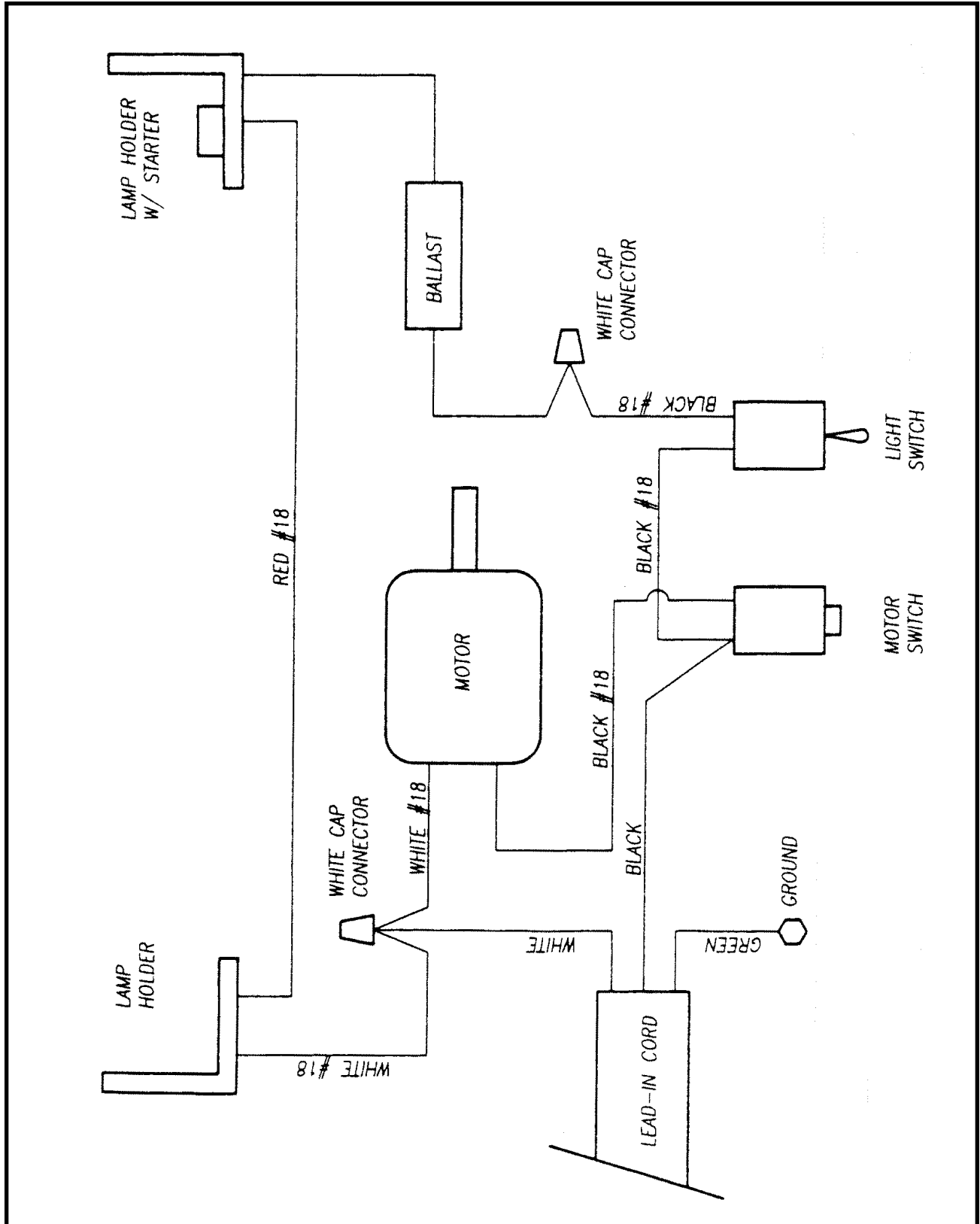
PARTS LIST – MODEL #1009

Part No.	Description
12003	Top Exterior Frame
12004	Bottom Exterior Frame
12006	Door Assembly
12007	Corner Post
12009	Flourescent Light Tube
12012	Front Glass Strip
12013	Rear Glass Strip
12032	Top Exterior Frame (Front & Rear)
12038	Front Glass
12039	Side Glass
12040	Front Glass Decal
12045	Door Catch
12057	Rear Exterior Frame
12061	Drain Pan Assembly w/ Drain
12063	Protectective Cover, Light
12071	"Do Not Apply Pressure" Label
12072	Cap
22004	"Name & Spec" Plate
22005	Pusher Handle
22009	Hopper Casting
22010	Motor Mount Plate
22013	Motor Switch
22015	Sno-Konette Shave Head
22020	Ice Pick
22021	Pusher Handle Gasket
22023	Molded Recessed Bumper
22024	Shipping Carton
22025	Fluorescent Fixture Lid
22026	Light Fixture Housing Assembly
22028	End Housing
22034	Ice Shaver Drain Hose
22035	Switch Box Cover
22036	Switch Box
22037	Circuit Breaker (40 Amp)
22041	Motor (12 V DC)
22042	Sno-Konette Shaver Head Battery
22043	Power Supply Cord Assembly
22045	Sno-Konette Parts Manual
22047	Dome
22049	Switch Box

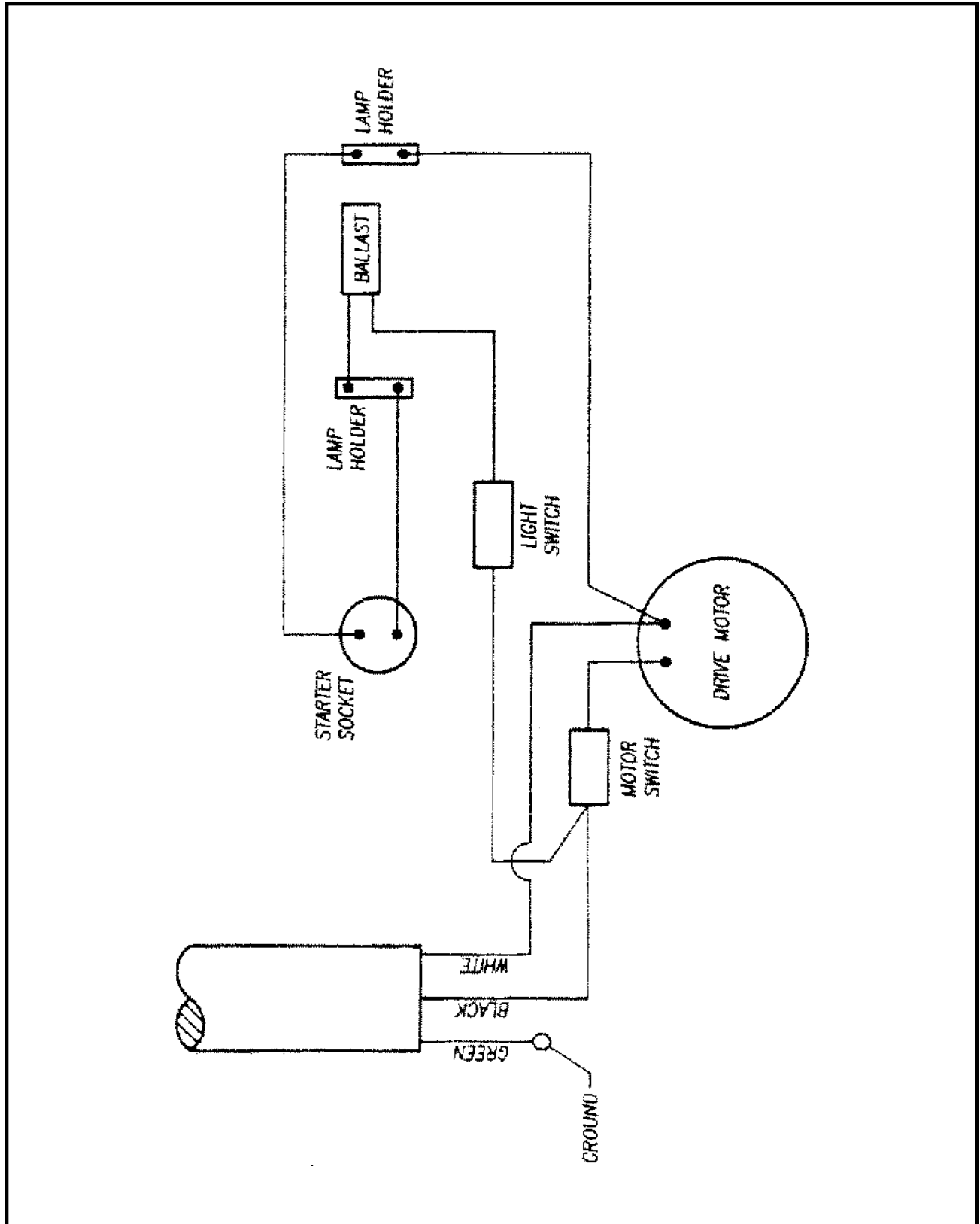
PARTS LIST – MODEL #1009 (continued)

Part No.	Description
29066	6 Oz. Sno Dipper
39018	6 Oz. Cup Dispenser w/ Bracket
39044	Drain Fitting
39068	Ice Scoop
41013	Door Knob
41020	Light Tube Holder
41021	Light Tube Holder Starter
41022	Light Ballast
41023	Light Starter
42018	Switch
47010	"Safe Operating Instructions" Label
47132	Vinyl Glass Channel (per foot)
47155	3/4 Inch High Rubber Feet
47201	Motor and Light Switch
47509	Wall Mount Bracket
49132	Grip Nut (5/16-18)
74119	"Warning Disconnect Power" Label
74127	Set Screw (5/16-18 x 3/8 Long)
75220	Hose Clamp w/ Screw
76026	Strain Relief
76097	"Unplug to Clean" Label
76135	Power Cord Tag
76210	Stop 110 Volt Unit Tag
77521	Slot Head Hex Screw (#8-32 x 3/4 Long)
82004	Light Tube Protective Cover
86556	18-2 Wire (Type SJTO)

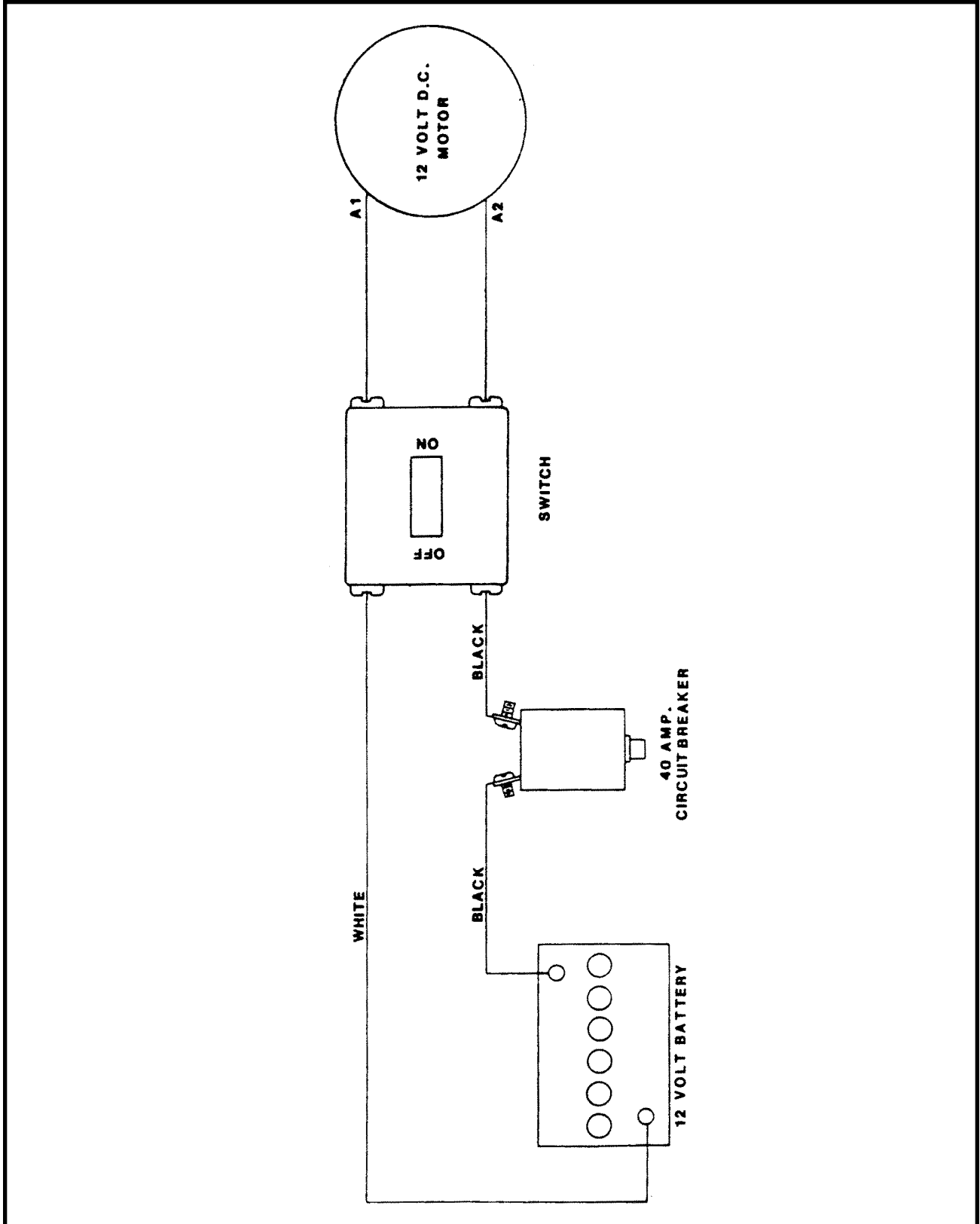
ELECTRICAL SCHEMATIC – MODEL #1002



ELECTRICAL SCHEMATIC – MODEL #1003



ELECTRICAL SCHEMATIC – MODEL #1009



WARRANTY

WE WARRANT to the original purchaser the Gold Medal equipment sold by us to be free from defects in material or workmanship under normal use and service. Our obligation under this warranty shall be limited to the repair or replacement of any defective part for a period of six (6) months from the date of sale to the Original Purchaser with regard to labor and two (2) years with regard to parts and does not cover damage to the equipment caused by accident, alteration, improper use, voltage, abuse, or failure to follow instructions.

THIS WARRANTY IS IN LIEU OF ALL OTHER WARRANTIES EXPRESSED OR IMPLIED, AND OF ALL OTHER OBLIGATIONS OR LIABILITIES ON OUR PART, INCLUDING THE IMPLIED WARRANTY OF MERCHANTABILITY. THERE ARE NO WARRANTIES WHICH EXTEND BEYOND THE DESCRIPTION ON THE FACE HEREOF. We neither assume, nor authorize any other person to assume for us, any other obligation or liability in connection with the sale of said GOLD MEDAL equipment or any part thereof.

The term "Original Purchaser" as used in this warranty shall be deemed to mean that person, firm, association, or corporation who was billed by the GOLD MEDAL PRODUCTS COMPANY, or their authorized distributor for the equipment.

THIS WARRANTY HAS NO EFFECT AND IS VOID UNLESS THE ORIGINAL PURCHASER FIRST CALLS GOLD MEDAL PRODUCTS COMPANY AT 1-800-428-2676 TO DISCUSS WITH OUR SERVICE REPRESENTATIVE THE EQUIPMENT PROBLEM, AND, IF NECESSARY, FOR INSTRUCTIONS CONCERNING THE REPAIR OR REPLACEMENT OF PARTS.

NOTE: This equipment is manufactured and sold for commercial use only.



GOLD MEDAL PRODUCTS COMPANY
10700 Medallion Drive
Cincinnati, OH 45241-4807 USA